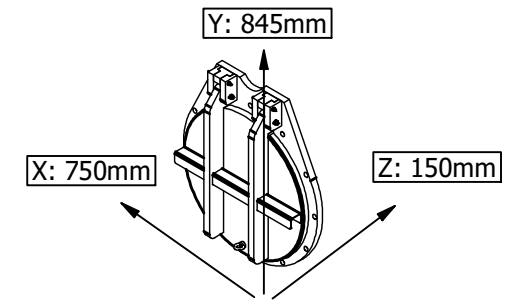
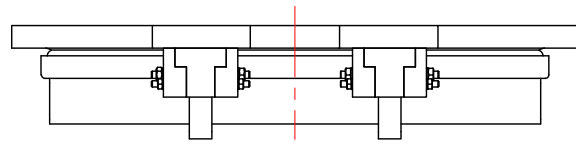
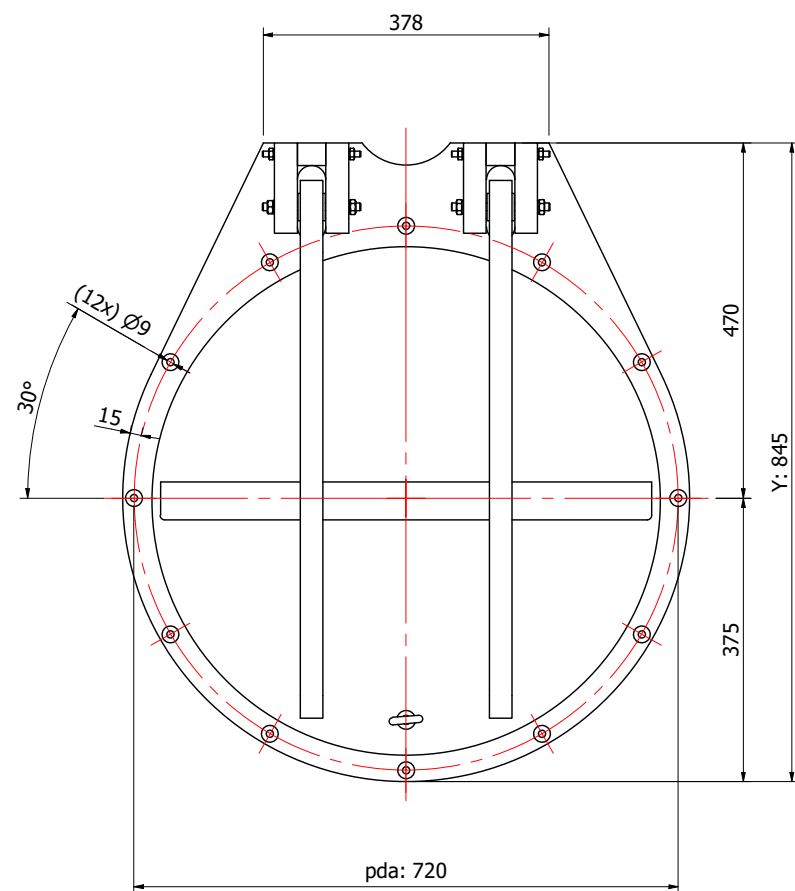


ATK-G Ø600

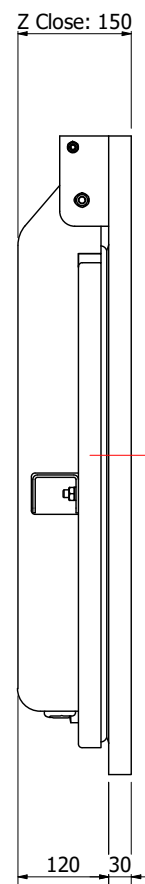
Top view
Close



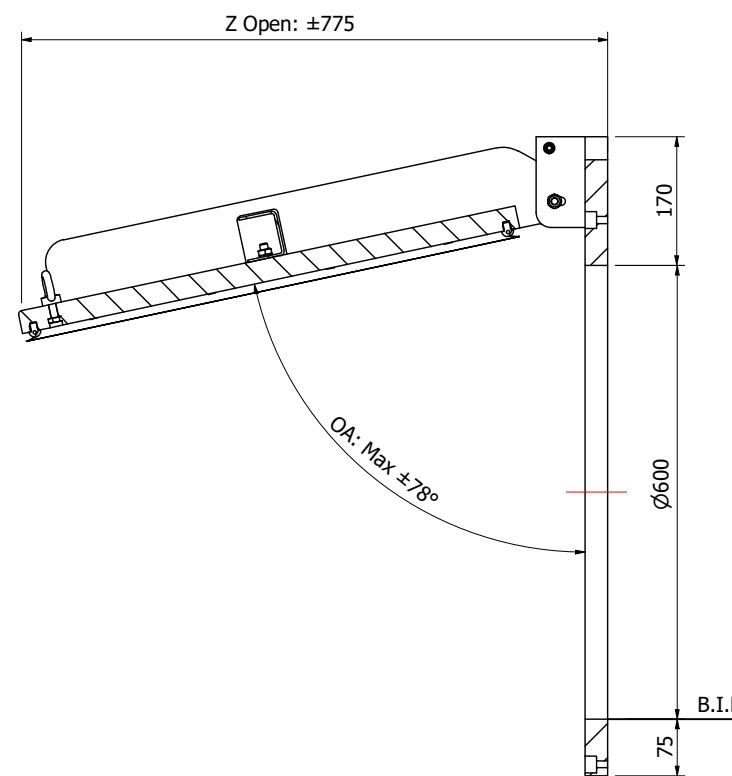
Front view
Close



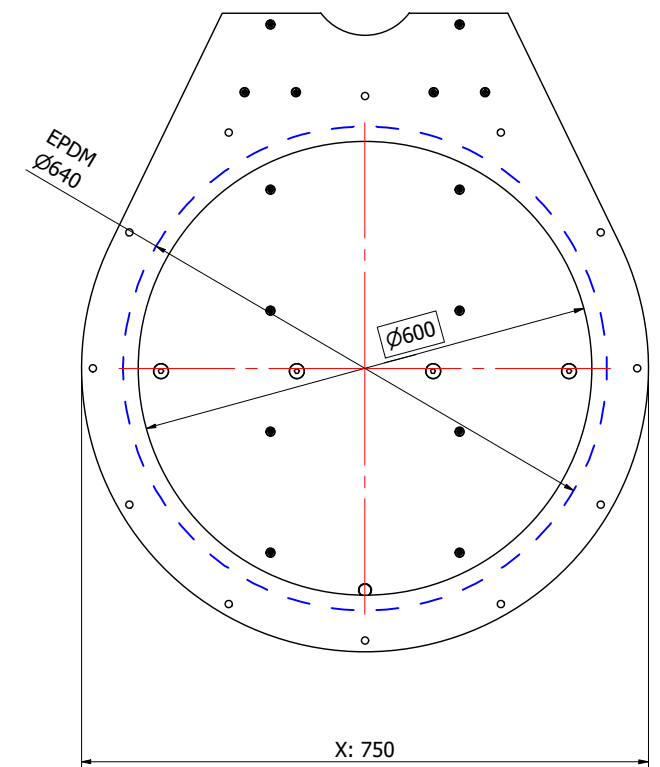
Side view
Close



Side view
Open



Back view
Close

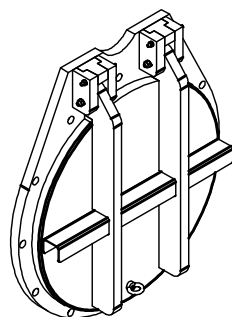


Linear dimensions tolerances acc. to: NEN-ISO 2768-c / Laser cut dimensions tolerances acc. to ISO 9013-1

Please refer to our installation manual for more detailed information regarding wall mounting

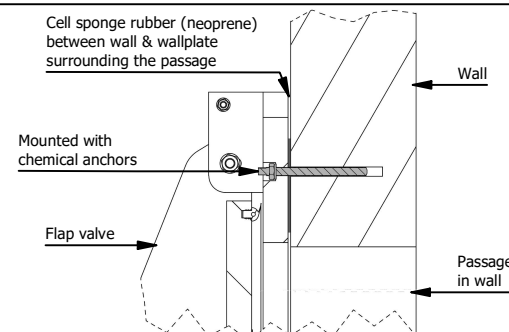
Signed for agreement: Name: Date:.....

The stated sizes are approximate. We advise you to measure the materials immediately after delivery before you proceed to installation!
Copyright: This drawing remains property of Aquafix Milieu B.V. Nothing of this may be reproduced or multiplied without the permission of Aquafix Milieu B.V.



Opening: Ø600mm
Material: HDPE, SS316L, EPDM
Max load from bottom invert level (B.I.L.)
1.6 MWC long period (= 50 years)
5.0 MWC short period (= 72hours)
Number of anchors M8x110: 12 pieces
Pitch diameter anchors (pda)
Synthetic rubber (EPDM)
Opening Angle (OA)
All dimensions in mm.

Mounting detail



		Flap valve ATKG Ø600	Rev.: -
Postbus 288 3640 AG Mijdrecht T: +31 (0)297 - 26 29 29 F: +31 (0)297 - 26 12 72 E: info@aquafix.nl W: www.aquafix.nl		Model: Wallmount (G) - HDPE/SS316L	
		Artikelnr.: 670ATK0600G	
			± 25 kg.
Get.: GC	Datum: 28-01-2020	Schaal: 1:10	Formaat: A3
		Tek. nr.: ATKG1900179	Blad: 9